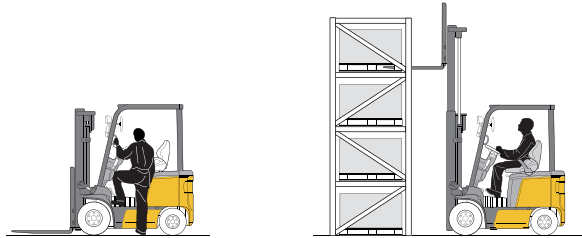


## Electric forklift truck

Electric forklift truck 4-wheel front traction, AC technology and DC lifting motor, full-free-view mast lifting from 3.300 to 6.000 mm, integrated side-shift, power steering, steering column multiple adjustable, LCD display with 3 different power output possibilities E (Economy) S (Super) P (Power) Characterized by its handiness and compact dimensions, it is suitable for all commodity uses.



OMG S.p.A.  
via dell'Artigianato, 12  
46023 - GONZAGA (MN) Italy  
Tel. + 39 0376 52.60.11  
Fax. + 39 0376 58.80.08  
[www.omgindustry.com](http://www.omgindustry.com)  
[info@omgindustry.com](mailto:info@omgindustry.com)

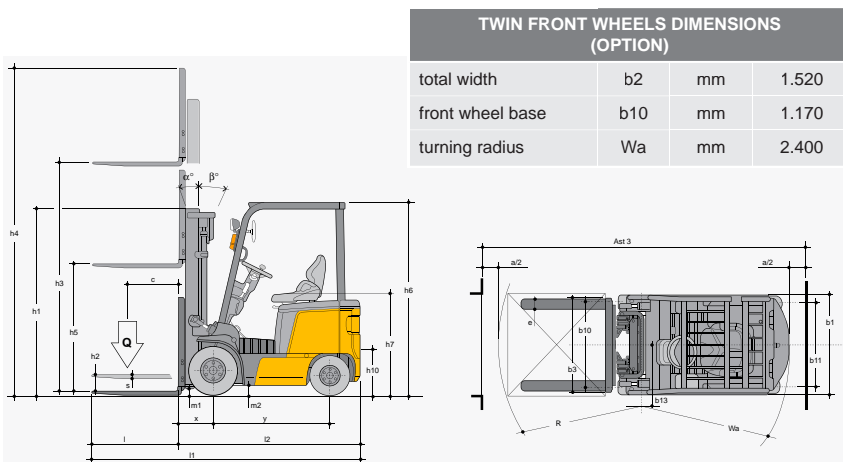


Azienda Certificata  
ISO 9001:2008 N°7236 MN  
ISO 9001:2008 N°23355

• Ergos III 35 TA4 ac

Characteristics	1.1 Manufacturer			OMG S.p.A.		
	1.2 Manufacturer's model designation			ERGOS III 35 TA4 AC		
	1.3 Drive : E ( electric )			E		
	1.4 Type of control : S ( steering wheel ) R ( seated )			S / R		
	1.5 Load capacity			Q ( t ) 3.5		
	1.6 Load centre distance			c ( mm ) 500		
	1.8 Load distance, centre of drive axle to fork			X ( mm ) 530		
	1.9 Wheelbase			Y ( mm ) 1.800		
Weights	2.1 Service weight ( battery included )			Kg 5.620		
	2.2 Axle loading ( with load )		front / rear	Kg 8.000 / 1.090		
	2.3 Axle loading ( without load )		front / rear	Kg 2.480 / 3.100		
Wheels - Chassis	3.1 Tyres : se ( superelastic )			se		
	3.2 Front wheels size			mm 250-15-16		
	3.3 Rear wheels size			mm 18 x 7 - 8		
	3.5 Wheels : number front / rear ( x = traction )			2x / 2		
	3.6 Track width, front			b 10 ( mm ) 1.140		
	3.7 Track width, rear			b 11 ( mm ) 960		
	3.3 Rear wheels size			mm 18 x 7 - 8		
Dimensions	4.1 Mast tilting forward / backward			a / b 6 / 6		
	4.2 Lowered mast height			h1 ( mm ) 2.235		
	4.3 Free lift			h5 ( mm ) /		
	4.4 Lifting height			h3 ( mm ) 3.250		
	4.5 Extended mast height			h4 ( mm ) 4.330		
	4.6 Free lift			h2 ( mm ) 150		
	4.7 Overhead guard ( cab )			h6 ( mm ) 2.250		
	4.8 Seat height			h7 ( mm ) 1.200		
	4.12 Coupling height			h10 ( mm ) 470		
	4.19 Total length			l1 ( mm ) 3.880		
	4.20 Length to forks face			l2 ( mm ) 2.750		
	4.21 Overall width			b1 / b2 ( mm ) 1.150 / 1.380		
	4.22 Forks dimensions			s / e / l 50 / 150 / 1.150		
	4.23 Fork carriage Class / Type A, B			III A		
	4.24 Fork carriage width			b3 ( mm ) 1.200		
	4.31 Ground clearance, under the mast		laden	m1 ( mm ) 120		
	4.32 Ground clearance, centre of wheelbase		laden	m2 ( mm ) 140		
4.33 Aisle width with pallets 1000 x 1200 forking side 1200			Ast3 ( mm ) 4.285			
4.34 Aisle width with pallets 800 x 1200 forking side 800			Ast3 ( mm ) 4.235			
4.35 Turning radius			Wa ( mm ) 2.355			
4.36 Smallest pivot point distance			b13 ( mm ) 260			
Performances	5.1 Travel speed		laden / unladen	Km / h 12.5 / 14		
	5.2 Lifting speed		laden / unladen	m / s 0.23 / 0.40		
	5.3 Lowering speed		laden / unladen	m / s 0.45 / 0.55		
	5.5 Drawbar pull			N 400		
	5.6 Max drawbar pull			N 1.000		
	5.7 Gradient performance			% /		
	5.8 Max gradient performance			% 10.0 / 16.7		
	5.9 Acceleration time ( 10 m )			s /		
	5.10 Service brake M ( mechanical ) I ( hydraulic ) IV ( inversion braking )			M - I /		
	El. Motor	6.1 Traction motor, rating S2 60 min			KW 17.3	
6.2 Lifting motor, rating S3 15%			KW 14			
6.3 Battery according DIN 43531 / 35 / 36 A, B, C, no			/			
6.4 Battery voltage, nominal capacity K5			V / Ah 72 / 480			
6.5 Battery weight ( ± 5 % )			Kg 1.245 ~ 1.325			
6.6 Battery consumption according VDI cycle			KWh / h /			
Others	8.1 Type of travel control			AC /		
	8.2 Operating pressure for attachments			bar 175		
	8.3 Oil volume for attachments ( max available )			l / min /		
	8.4 Sound level at driver's ear			dB ( A ) < 70		
	8.5 Tow coupling, type DIN			/		

servo-steering	s	extra hydraulic function	o
adjustable steering column	s	backwards light	s
LCD display	s	working lights	s
BDI/hour meter with lifting cut-off at 80% discharge	s	complete cabin	o
traction speed visualization	s	half cabin	o
3 different power output possibilities	s	no marking tyres	o
wide visibility mast	s	cold store execution	o
side-shift	s	heating system	o
s=standard		o=option	



h3		h1	h4	h4 (1)	h2	h5	h5 (1)	(Q) t
3.250 dx	mm	2.235	4.330	4.560	150	1.660	1.145	3.5
3.450 dx	mm	2.235	4.530	4.760	150	1.760	1.245	3.5
3.650 dx	mm	2.435	4.730	4.960	150	1.860	1.345	3.5
3.950 dx	mm	2.635	5.030	5.260	150	2.060	1.545	3.5
4.450 dx	mm	2.885	5.530	5.760	150	2.310	1.795	3.25

(1) with load protection guard 515 mm / \* twin front wheels

h3		h1	h4	h4 (1)	h2	h5	h5 (1)	(Q) t
4.300 tx ffl	mm	2.080	5.380	5.610	/	1.430	860	3.3
4.750 tx ffl	mm	2.230	5.830	6.060	/	1.580	1.010	3.1 / 3.3*
4.950 tx ffl	mm	2.330	6.030	6.260	/	1.680	1.110	3.0 / 3.2*
5.450 tx ffl	mm	2.495	6.530	6.760	/	1.845	1.275	2.65 / 2.95*
5.950 tx ffl	mm	2.680	7.030	7.260	/	2.030	1.460	2.0 / 2.8*

(1) with load protection guard 580 mm / \* twin front wheels

Technical specification according VDI 2198

Information and data are given for information only, OMG S.p.A. will have the sole right for technical changes and improvements without giving any notice.