

## Rough terrain forklift truck

Rough Terrain forklift truck, hydrostatic transmission, with 2/4 wheel drive (2WD/4WD) full-free-view mast lifting height from 3.200 to 4.500 mm, side shift (optional), power steering, steering column multiple adjustable. Standard equipped with lighting, driving direction inverter at steering column, comfort driver seat enabled to absorb and limit the vibrations.



*we make ideas alive*

® **OMG S.p.A.**  
via dell'Artigianato, 12  
46023 - GONZAGA (MN) Italy  
Tel. + 39 0376 52.60.11  
Fax. + 39 0376 58.80.08  
[www.omgindustry.com](http://www.omgindustry.com)  
[info@omgindustry.com](mailto:info@omgindustry.com)

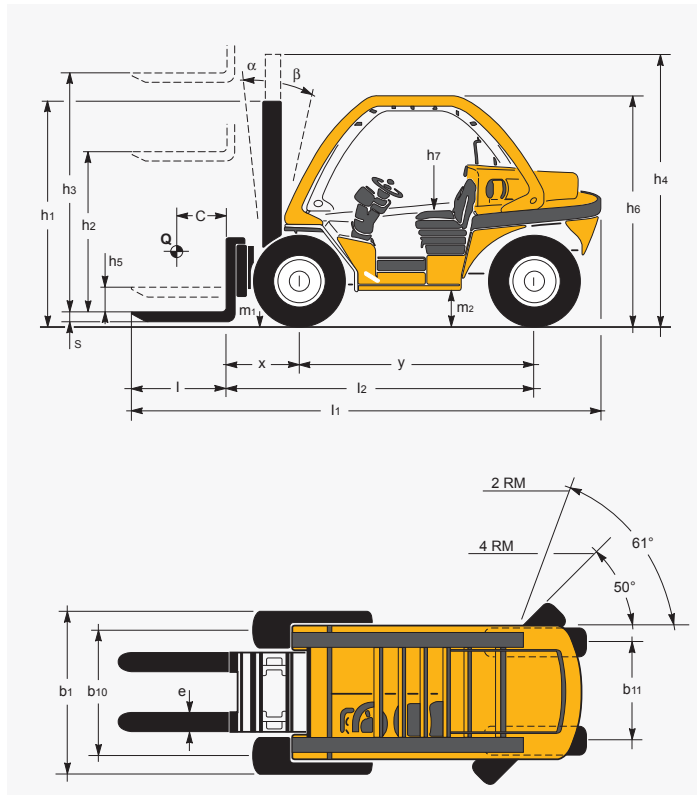


Azienda Certificata  
ISO 9001:2008 N°7236 MN  
ISO 9001:2008 N°23355

Ergos All Road 30 2WD • 4WD

Characteristics	OMG S.p.A.				
	Ergos All Road 30 2WD	Ergos All Road 30 4WD			
1.1 Manufacturer	OMG S.p.A.				
1.2 Manufacturer's model designation	Ergos All Road 30 2WD Ergos All Road 30 4WD				
1.3 Drive : D ( diesel ) G ( lpg )	D				
1.4 Type of control : S ( steering wheel ) R ( seated )	S-R				
1.5 Load capacity	<b>Q ( t )</b>	3			
1.6 Load centre distance	<b>c ( mm )</b>	500			
1.8 Load distance, centre of drive axle to fork	<b>X ( mm )</b>	640			
1.9 Wheelbase	<b>Y ( mm )</b>	2.040			
Weight	2.1 Service weight	<b>Kg</b>	3.600	3.900	
	2.2 Axle loading ( with load ) - front / rear	<b>Kg</b>	4.000	4.500	
	2.3 Axle loading ( without load ) - front / rear	<b>Kg</b>	1.980 / 2.020	2.150 / 2.350	
Wheels - Chassis	3.1 Tyres : se ( superelastic ) cu ( cushion ) pn ( pneumatic )		pn		
	3.2 Front wheels size	<b>mm</b>	10.0/75-15 11.5/80-15 31.15.50/15		
	3.3 Rear wheels size	<b>mm</b>	10.0/75-15 11.5/80-15 31.15.50/15	10.0/75-15 11.5/80-15 15.0/55/17	
	3.5 Wheels : number front / rear ( x = traction )		2x / 2		
	3.6 Track width, front	<b>b 10 ( mm )</b>	1.280		
3.7 Track width, rear	<b>b 11 ( mm )</b>	1.300			
Dimensions	4.1 Mast tilting forward / backward	<b>a / b</b>	6° / 10°		
	4.2 Lowered mast height	<b>h1 ( mm )</b>	2.420		
	4.3 Free lift	<b>h5 ( mm )</b>	-		
	4.4 Lifting height	<b>h3 ( mm )</b>	3.165		
	4.5 Extended mast height	<b>h4 ( mm )</b>	3.950		
	4.7 Overhead guard ( cab )	<b>h6 ( mm )</b>	2.020		
	4.8 Seat height	<b>h7 ( mm )</b>	900		
	4.19 Total length	<b>l1 ( mm )</b>	4.400		
	4.20 Length to forks face	<b>l2 ( mm )</b>	2.700		
	4.21 Overall width	<b>b1 / b2 ( mm )</b>	1.700		
	4.22 Forks dimensions	<b>s / e / l ( mm )</b>	35 x 130 x 1.000	40 x 130 x 1.000	
	4.23 Fork carriage DIN 15173 Class / Type A, B		III B		
	4.24 Fork carriage width	<b>b3 ( mm )</b>	1.200		
4.31 Ground clearance, under the mast laden	<b>m1 ( mm )</b>	320			
4.32 Ground clearance, centre of wheelbase laden	<b>m2 ( mm )</b>	390			
Perform.	5.1 Travel speed - laden / unladen	<b>Km / h</b>	26 / 28	25 / 27	
	5.5 Drawbar pull - laden / unladen	<b>N</b>	44.000 / 30.000	50.000 / 32.000	
	5.7 Gradient performance - laden / unladen	<b>% (theoretical)</b>	45		
	5.10 Service brake M ( mechanical ) l ( hydraulic )		M / l		
Motor	7.1 Manufacturer / type		Perkins 404 / 22		
	7.2 Engine power	<b>KW</b>	37		
	7.3 Rated speed	<b>rpm</b>	2.800		
	7.4 Number of cylinders / cubic capacity	<b>cm<sup>3</sup></b>	4 / 2.200		
	7.5 Fuel consumption according to VDI cycle	<b>l / h</b>	-		
Others	8.1 Type of drive control		Hydrostatic		
	8.2 Operation pressure for attachments	<b>bar</b>	150		
	8.3 Oil volume for attachments ( max available )	<b>l / min</b>	60		
	8.4 Sound level at driver's ear	<b>dB ( A )</b>	79,5		

working lights	s	3rd. hydraulic function	s
flashing beacon - reverse buzzer	s	hose set for 4th hydraulic function	s
vertical exhaust pipe	s	complete metal cabin	o
2 driving mirrors	s	heating system	o
suspended comfort seat	s	air conditioning system	o
side-shift	s	extra lights	o
s=standard		o=option	



h3		h1	h4	h2	h5	(Q) t c =500 mm
3.165 dx	mm	2.420	3.950	/	/	3.000
3.465 dx	mm	2.620	4.250	/	/	2.500
3.965 dx	mm	2.820	4.770	/	/	2.000
4.465 tx	mm	2.390	5.390	/	/	1.500
5.165 tx	mm	2.580	6.060	/	/	700

Technical specification according VDI 2198  
Information and data are given for information only, OMG S.p.A. will have the sole right for technical changes and improvements without giving any notice.