

Rough terrain forklift truck

Rough Terrain forklift truck, hydrostatic transmission, with 2/4 wheel drive (2WD/4WD) full-free-view mast lifting height from 3.200 to 4.500 mm, side shift (optional), power steering, steering column multiple adjustable. Standard equipped with lighting, driving direction inverter at steering column, comfort driver seat enabled to absorb and limit the vibrations.



OMG S.p.A.
via dell'Artigianato, 12
46023 - GONZAGA (MN) Italy
Tel. + 39 0376 52.60.11
Fax. + 39 0376 58.80.08
www.omgindustry.com
info@omgindustry.com



Azienda Certificata
ISO 9001:2008 N°7236 MN
ISO 9001:2008 N°23355

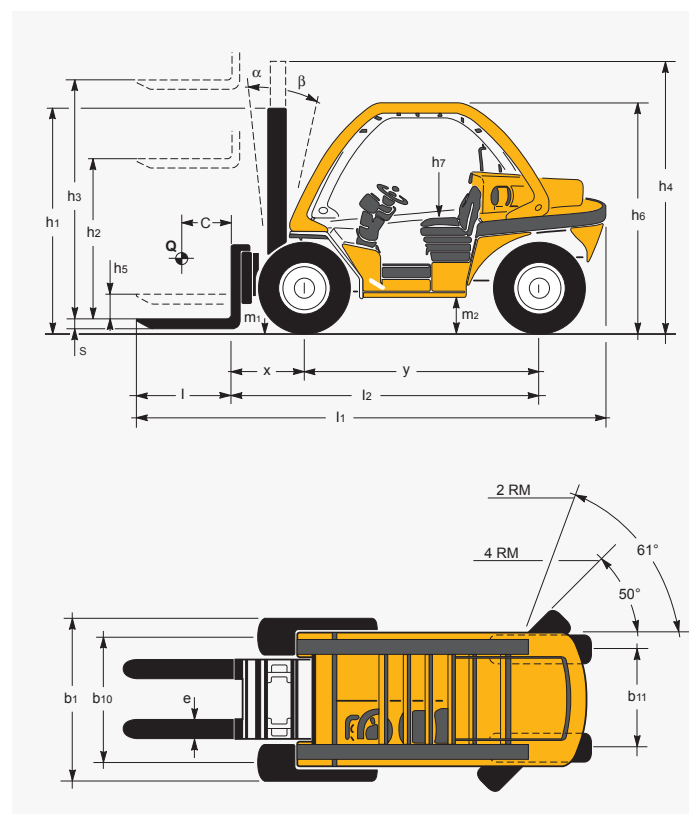
Ergos All Road 25 2WD • 4WD

Characteristics	OMG S.p.A.				
		Ergos All Road 25 2WD	Ergos All Road 25 4WD		
1.1	Manufacturer	OMG S.p.A.			
1.2	Manufacturer's model designation	Ergos All Road 25 2WD	Ergos All Road 25 4WD		
1.3	Drive : D (diesel) G (lpg)	D			
1.4	Type of control : S (steering wheel) R (seated)	S-R			
1.5	Load capacity	Q (t)	2.5		
1.6	Load centre distance	c (mm)	500		
1.8	Load distance, centre of drive axle to fork	X (mm)	600		
1.9	Wheelbase	Y (mm)	2.040		
Weight	2.1	Service weight	Kg	3.600	3.900
	2.2	Axle loading (with load) - front / rear	Kg	4.000	4.500
	2.3	Axle loading (without load) - front / rear	Kg	1.980 / 2.020	2.150 / 2.350
Wheels - Chassis	3.1	Tyres : se (superelastic) cu (cushion) pn (pneumatic)		pn	pn
	3.2	Front wheels size	mm	10.0/75-15 11.5/80-15 31.15.50/15	
	3.3	Rear wheels size	mm	10.0/75-15 11.5/80-15 31.15.50/15	
	3.5	Wheels : number front / rear (x = traction)		2x / 2	
	3.6	Track width, front	b 10 (mm)	1.280	
3.7	Track width, rear	b 11 (mm)	1.280		
Dimensions	4.1	Mast tilting forward / backward	a / b	6° / 10°	
	4.2	Lowered mast height	h1 (mm)	2.420	
	4.3	Free lift	h5 (mm)	/	
	4.4	Lifting height	h3 (mm)	3.165	
	4.5	Extended mast height	h4 (mm)	3.950	
	4.7	Overhead guard (cab)	h6 (mm)	1.900	
	4.8	Seat height	h7 (mm)	900	
	4.19	Total length	l1 (mm)	4.180	
	4.20	Length to forks face	l2 (mm)	3.180	
	4.21	Overall width	b1 / b2 (mm)	1.550	
	4.22	Forks dimensions	s / e / l (mm)	35 x 130 x 1.000	
	4.23	Fork carriage DIN 15173 Class / Type A, B		II B	
	4.24	Fork carriage width	b3 (mm)	1.200	
4.31	Ground clearance, under the mast laden	m1 (mm)	280		
4.32	Ground clearance, centre of wheelbase laden	m2 (mm)	340		
Perform.	5.1	Travel speed - laden / unladen	Km / h	26 / 28	25 / 27
	5.5	Drawbar pull - laden / unladen	N	44.000 / 30.000	50.000 / 32.000
	5.7	Gradient performance - laden / unladen	% (theoretical)	45	
	5.10	Service brake M (mechanical) l (hydraulic)		M / l	
Motor	7.1	Manufacturer / type		Perkins 404 / 22	
	7.2	Engine power	KW	37	
	7.3	Rated speed	rpm	2.800	
	7.4	Number of cylinders / cubic capacity	cm³	4 / 2.200	
	7.5	Fuel consumption according to VDI cycle	l / h	-	
Others	8.1	Type of drive control		Hydrostatic	
	8.2	Operation pressure for attachments	bar	150	
	8.3	Oil volume for attachments (max available)	l / min	60	
	8.4	Sound level at driver's ear	dB (A)	79,5	

Technical specification according VDI 2198

Information and data are given for information only, OMG S.p.A. will have the sole right for technical changes and improvements without giving any notice.

working lights	s	3rd. hydraulic function	s
flashing beacon - reverse buzzer	s	hose set for 4th hydraulic function	s
vertical exhaust pipe	s	complete metal cabin	o
2 driving mirrors	s	heating system	o
suspended comfort seat	s	air conditioning system	o
side-shift	s	extra lights	o
s=standard		o=option	



h3		h1	h4	h2	h5	(Q) t c =500 mm
3.165 dx	mm	2.420	3.950	/	/	2.500
3.465 dx	mm	2.620	4.250	/	/	2.000
3.965 dx	mm	2.820	4.770	/	/	1.500
4.465 tx	mm	2.390	5.390	/	/	1.000
5.165 tx	mm	2.580	6.060	/	/	500